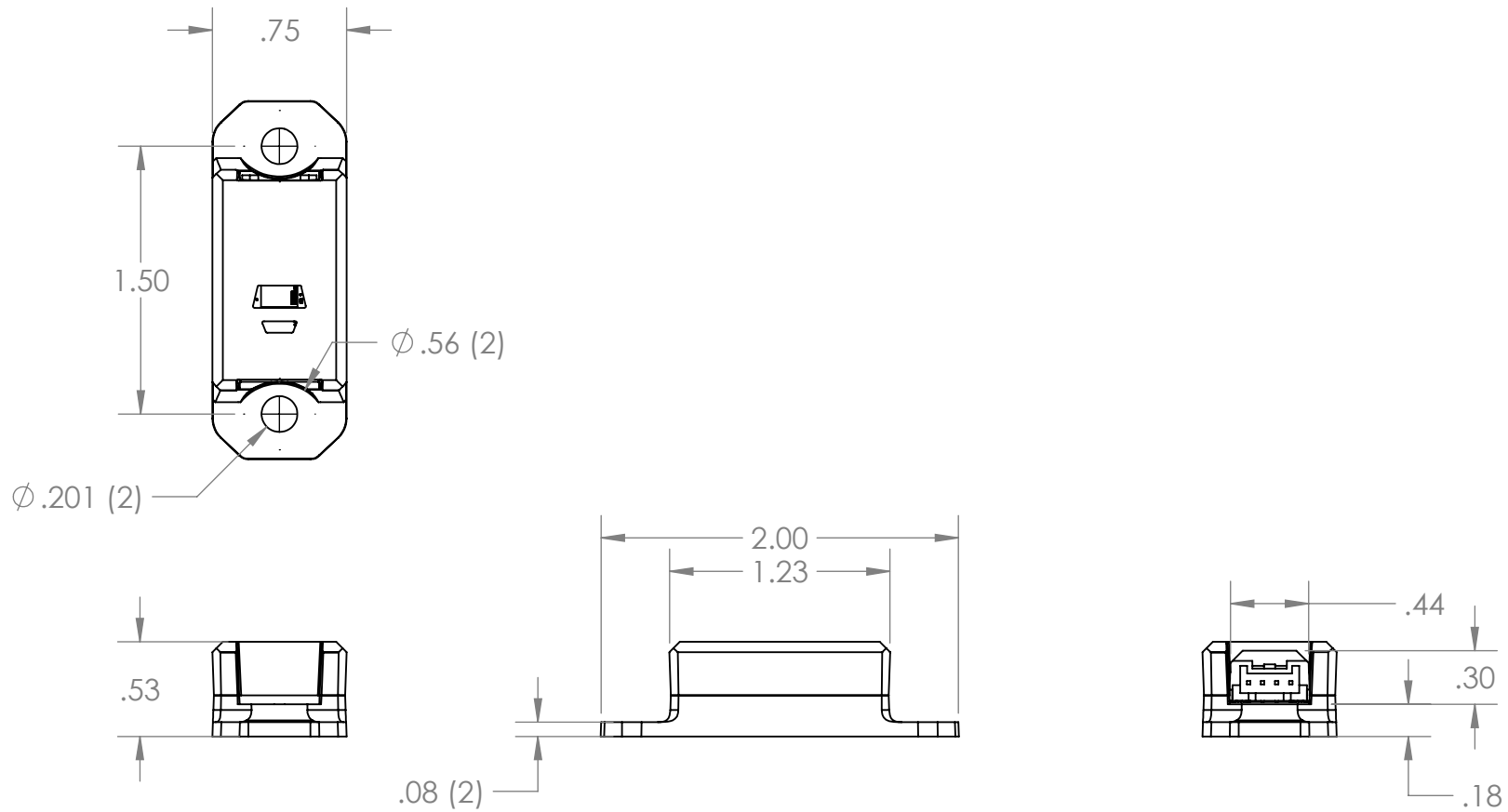
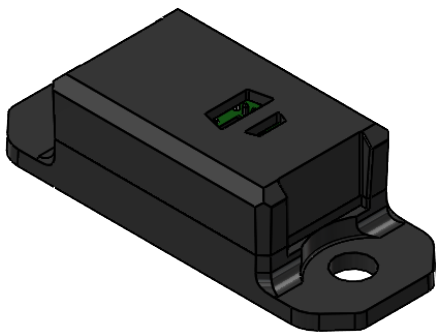



REVISION HISTORY			
REV.	DESCRIPTION	DATE	DRAWN BY
1	ORIGINAL PRINT	10/6/2025	A. MCMAHON



*** SEE CAD FOR ADDITIONAL TOOLPATH INFO***



UNLESS OTHERWISE SPECIFIED:		COMMENTS:				
DIMENSIONS ARE IN INCHES		DUAL DIMENSIONS ARE IN MILLIMETERS.				
TOLERANCES:		BREAK ALL SHARP EDGES.		TITLE:		
FRACTIONAL	$\pm 1/16$			AM STANDARD		
ANGULAR: MACH	$\pm 1^\circ$			SENSOR - IMU		
ANGULAR: BEND	$\pm 5^\circ$			SIZE	DWG. NO.	REV
ONE PLACE DECIMAL	± 0.1			A	am-5638	1
TWO PLACE DECIMAL	± 0.01			SCALE: 1:1		
THREE PLACE DECIMAL	± 0.005			SHEET 1 OF 1		
FOUR PLACE DECIMAL	± 0.0005					
MATERIAL	VARIOUS	CHECKED	NAME	DATE		
FINISH	VARIOUS	ENG APPR.				
DO NOT SCALE DRAWING		MFG APPR.				
		Q.A.				